



Maudlin

MW Components

Product Line Catalog

REPLACEMENT
PACKS



SHIM KITS



SHIM STOCK



FOIL WRAP



CUSTOM SHIMS



PLASTIC SHIMS



maudlinproducts.com

sales@maudlinproducts.com



Maudlin

Maudlin was built on three unwavering commitments: craftsmanship, quality, and the ability to meet the most demanding industrial requirements.

While many manufacturers take weeks—or even months—to deliver critical industrial products, Maudlin operates differently. We offer 24-hour turnaround on all stock items, and our experienced team works to ensure your rotating equipment needs are fully met.

In an environment where speed and thousandths of an inch matter, nothing less will do. Maudlin, for all of your shim and alignment needs.

Maudlin is your trusted source for shim and alignment solutions.

Located in a 40,000-square-foot facility, Maudlin offers a complete line of stainless steel slotted shims, key stock, feeler gauges, and coil shim stock in stainless, brass, and steel, along with plastic shim stock and stainless steel foil wrap.

Our state-of-the-art custom job shop provides advanced manufacturing capabilities, including laser cutting, precision water jet cutting, wire EDM, and metal stamping.

With a commitment to precision, craftsmanship, experience, and exceptional customer service, Maudlin delivers the reliability and performance you can depend on.

24-hour turnaround on all stock items

No minimum orders

Fast & economical turnaround on custom shims

Tightest tolerances in the industry

Laser Cutting

Precision Water Jet Cutting

Wire Electrical Discharge Machining (Wire EDM)

Shearing

Metal Stamping

In-House Laser-Etching

Custom Packaging



Maudlin

1929 TX-146

Kemah, TX 77565

General: 281.334.7566

Toll Free: 800.300.7566

sales@maudlinproducts.com

maudlinproducts.com

ISO 9001 Certified.

Table of Contents

Slotted Shims

302/304 SS Slotted Shim Specs	2
302/304 SS Slotted Shim Kits	3-5
302/304 SS Shim Replacement Packs	6-7
316 SS Slotted Shims	8
304 SS Thick Slotted Shims	9
Steel Thick Slotted Shims.....	10

Coil Shim Stock

302/304 SS Coil Shim Stock Specs	11
302/304 SS Coil Shim	12
302/304 SS Coil Shim & Flat Packs	13
316 SS Coil Shim Stock Specs	14
316 SS Coil Shim	15
316 SS Coil Shim & Flat Packs	16
Brass Coil Shim Stock Specs	17
Brass Coil Shim	18
Brass Flat Packs	19
Steel Coil Shim Stock Specs	20
Steel Coil Shim	21
Steel Flat Packs.....	22
Plastic Shim Stock Specs	23
Plastic Shim Stock Sheets	24
SS Tool Wrap	25
Tool Wrap Specs.....	26

Keystock / Feeler Gauge

Keystock.....	27-28
Feeler Gauge	29-30

Custom Shims

Custom Shims.....	31
-------------------	----

Online Accounts

Set up your online account	32
----------------------------------	----



Standard 302/304 SS A, B, C & D Shims

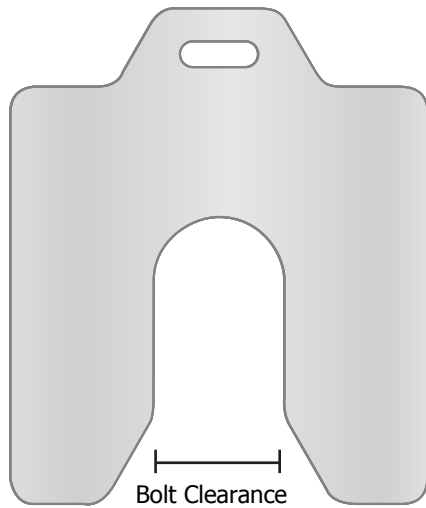
Slotted Leveling Shims are used for shaft alignment in rotating equipment. The power source (motor or engine) shaft must be properly aligned with the mating equipment shaft (such as a pump, compressor, or gearbox). Improper alignment can cause damaging vibration, excessive shaft and bearing wear, and ultimately lead to mechanical failure.

Size	Slot Depth	Slot Size	Width	Length
A	1-9/32"	5/8"	2"	2-17/32"
B	2-1/8"	7/8"	3"	3-5/8"
C	2-3/4"	1-1/4"	4"	4-3/4"
D	3-5/8"	1-5/8"	5"	6"
E	4"	2"	6"	6"
H	6"	2-3/8"	8"	8"

E & H shims are only available in the following thicknesses: .001, .002, .003, .004, .005, .010, .015, .020, .025, .050, .075, .100 & .125

Thickness	Deluxe Kit	Full Kit	Tool Crib Kit	Maintenance Kit	Service Assortment	Installer Assortment	Replacement Packs
.001"	20 ea	20 ea	10 ea	20 ea	10 ea	∅	20 PC
.002"	20 ea	20 ea	10 ea	20 ea	∅	∅	20 PC
.003"	20 ea	20 ea	10 ea	20 ea	10 ea	∅	20 PC
.004"	20 ea	20 ea	10 ea	20 ea	∅	∅	20 PC
.005"	20 ea	20 ea	10 ea	20 ea	10 ea	∅	20 PC
.006"	20 ea	∅	∅	∅	∅	∅	20 PC
.007"	20 ea	∅	∅	∅	∅	∅	20 PC
.008"	20 ea	∅	∅	∅	∅	∅	20 PC
.009"	20 ea	∅	∅	∅	∅	∅	20 PC
.010"	20 ea	20 ea	10 ea	20 ea	10 ea	∅	20 PC
.012"	20 ea	∅	∅	∅	∅	∅	20 PC
.015"	20 ea	20 ea	10 ea	10 ea	10 ea	∅	20 PC
.020"	20 ea	20 ea	10 ea	10 ea	10 ea	∅	20 PC
.025"	20 ea	20 ea	10 ea	10 ea	10 ea	∅	20 PC
.031"	20 ea	∅	∅	∅	∅	∅	20 PC
.050"	8 ea	20 ea	10 ea	4 ea	10 ea	12 ea	10 PC
.062"	8 ea	∅	∅	∅	∅	∅	10 PC
.075"	8 ea	20 ea	10 ea	4 ea	∅	12 ea	10 PC
.100"	8 ea	20 ea	10 ea	4 ea	∅	12 ea	5 PC
.125"	8 ea	20 ea	10 ea	4 ea	∅	12 ea	5 PC
Total PC	340 PC	260 PC	130 PC	166 PC	80 PC	48 PC	

302/304 Slotted Shim Kits



Slot tolerances are designed to allow ample clearance for use with the following bolts.

Bolt Clearance	
A	1/2" - 9/16"
B	5/8" - 3/4"
C	7/8" - 1-1/8"
D	1 - 1/4" - 1 - 1/2"
E	1 - 5/8" - 1 - 7/8"
H	2" - 2 - 1/4"

Maudlin Products Slotted Shim Advantages

Maudlin Products Slotted Shims are manufactured to the tightest tolerances in the industry. Thicknesses from .001" through .031" are produced to the closest tolerances available from the stainless steel mills.

Sizes .050" through .125" are made from re-rolled material which reduces thickness tolerances to +/- .002". Our shims are not only the tightest in the industry they are also the flattest. When shims are run through the stamping process, they tend to warp from the natural stress in the material. This can create what is known as soft foot problems. Soft foot problems happen when the shims are flattened out from the bolt of the equipment being tightened.

Thickness Tolerances	
.001"	+/- .00008
.002"	+/- .0001
.003"	+/- .00015
.004"	+/- .0002
.005"	+/- .00025
.010	+/- .0005
.015"	+/- .0005
.020"	+/- .0005
.025"	+/- .00075
.050"	+/- .001
.075"	+/- .002
.100"	+/- .002
.125"	+/- .0025

302 / 304 SS Specs		
Thickness	.001" - .025"	.031" - 1"
Type	302 Stainless	304 Stainless
Temper	Full Hard	Annealed
Carbon	.15 Max	.8 Max
Manganese	2.00 Max	2.0 Max
Phosphorus	.045 Max	.04 Max
Sulphur	.03 Max	.03 Max
Silicone	1.0 Max	1.0 Max
Nickel	8.0 - 10.0	8.0 - 11.0
Chromium	18.0 - 20.0	18.0 - 20.0
Rockwell	RC 35 - 45	RB 80 - 90
Applicable	AMS 5906	AMS 5513
Specs	ASTM - A - 666	ASTM - A - 666

302/304 Slotted Shim Kits

“A” Kits Include

- Green Metal Box
- Shim Removal Tool
- Dividers
- Shim Lock



P/N	Description	WT (lbs)
MSA2-DK	2"x 2" Deluxe Kit (340 PC)	10.5
MSA2-FK	2"x 2" Full Kit (260 PC)	13.0
MSA2-CK	2"x 2" Tool Crib Kit (130 PC)	7.0
MSA2-MK	2"x 2" Maintenance Kit (166 PC)	5.0
MSA2-SK	2"x 2" Service Kit (80 PC)	4.0
MSA2-SHK	2"x 2" Shop Kit (80 PC)	4.2
*MSA2-SA	2"x 2" Service Assort. (80 PC)	2.0
MSA2-IK	2"x 2" Installer Kit (48 PC)	7.0
*MSA2-IA	2"x 2" Installer Assort. (48 PC)	5.0

“B” Kits Include

- Green Metal Box
- Shim Removal Tool
- Dividers
- Shim Lock



P/N	Description	WT (lbs)
MSB3-DK	3"x 3" Deluxe Kit (340 PC)	20.0
MSB3-FK	3"x 3" Full Kit (260 PC)	25.0
MSB3-CK	3"x 3" Tool Crib Kit (130 PC)	14.0
MSB3-MK	3"x 3" Maintenance Kit (166 PC)	9.0
MSB3-SK	3"x 3" Service Kit (80 PC)	6.0
MSB3-SHK	3"x 3" Shop Kit (80 PC)	8.6
*MSB3-SA	3"x 3" Service Assort. (80 PC)	3.5
MSB3-IK	3"x 3" Installer Kit (48 PC)	12.0
*MSB3-IA	3"x 3" Installer Assort. (48 PC)	10.0

“C” Kits Include

- Green Metal Box
- Shim Removal Tool
- Dividers
- Shim Lock



P/N	Description	WT (lbs)
MSC4-DK	4"x 4" Deluxe Kit (340 PC)	32.0
MSC4-FK	4"x 4" Full Kit (260 PC)	43.0
MSC4-CK	4"x 4" Tool Crib Kit (130 PC)	23.0
MSC4-MK	4"x 4" Maintenance Kit (166 PC)	13.0
MSC4-SK	4"x 4" Service Kit (80 PC)	10.0
MSC4-SHK	4"x 4" Shop Kit (80 PC)	10.4
*MSC4-SA	4"x 4" Service Assort. (80 PC)	6.0
MSC4-IK	4"x 4" Installer Kit (48 PC)	19.0
*MSC4-IA	4"x 4" Installer Assort. (48 PC)	17.0

* **Note:** The service assortment and installer assortment are packaged in the standard replacement pack boxes and bundled together. Therefore, these kits do not include any of the items listed above.

The above components are available for individual purchase.
Call for pricing and availability.

302/304 Slotted Shim Kits

“D” Kits Include

- Green Metal Box
- Shim Removal Tool
- Dividers
- Shim Lock



P/N	Description	WT (lbs)
MSD5-DK	5"x 5" Deluxe Kit (340 PC)	48.0
MSD5-FK	5"x 5" Full Kit (260 PC)	68.0
MSD5-CK	5"x 5" Tool Crib Kit (130 PC)	33.0
MSD5-MK	5"x 5" Maintenance Kit (166 PC)	21.0
MSD5-SK	5"x 5" Service Kit (80 PC)	15.0
MSD5-SHK	5"X5" Shop Kit (80 PC)	15.6
*MSD5-SA	5"x 5" Service Assort. (80 PC)	9.0
MSD5-IK	5"x 5" Installer Kit (48 PC)	29.0
*MSD5-IA	5"x 5" Installer Assort. (48 PC)	26.0

* **Note:** The service assortment and installer assortment are packaged in the standard replacement pack boxes and bundled together. Therefore, these kits do not include any of the items listed above.

“E” Kits Include

- Green Metal Box
- Dividers
- Shim Lock
- Only Available as a Full Kit



P/N	Description	WT (lbs)
E6-FK	6"x 6" Full Kit (260 PC)	82.0
MSE6-CK	MSE 6"x 6" Crib Kit (130 PC)	49.5
MSE001	MSE 6"x 6" .001 (20 PC)	0.4
MSE002	MSE 6"x 6" .002 (20 PC)	0.6
MSE003	MSE 6"x 6" .003 (20 PC)	1.0
MSE004	MSE 6"x 6" .004 (20 PC)	1.0
MSE005	MSE 6"x 6" .005 (20 PC)	1.2
MSE010	MSE 6"x 6" .010 (20 PC)	2.0
MSE015	MSE 6"x 6" .015 (20 PC)	3.0
MSE020	MSE 6"x 6" .020 (20 PC)	3.0
MSE025	MSE 6"x 6" .025 (20 PC)	4.0
MSE050	MSE 6"x 6" .050 (10 PC)	4.0
MSE075	MSE 6"x 6" .075 (10 PC)	7.5
MSE100	MSE 6"x 6" .100 (5 PC)	5.0
MSE125	MSE 6"x 6" .125 (5 PC)	6.25

“E” Replacement Packs

6" x 6" shims are now available for purchase in replacement packs. They are available in the following thicknesses only: .001, .002, .003, .004, .005, .010, .015, .020, .025, .050, .075, .100, .125

“H” Kits Include

- Green Metal Box
- Dividers
- Shim Lock
- Only available as a Full Kit



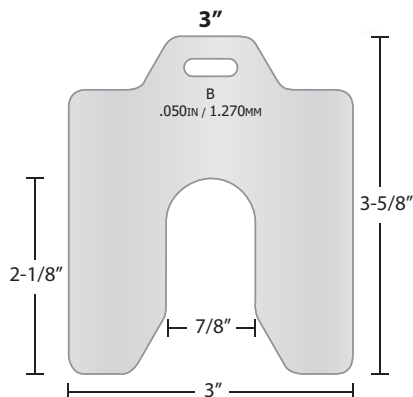
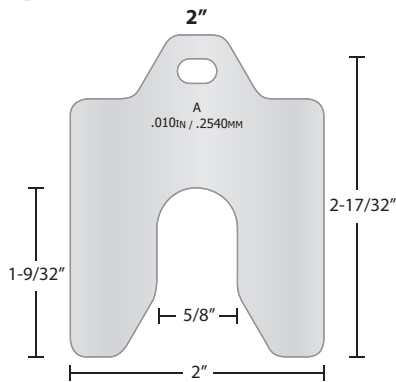
P/N	Description	WT (lbs)
H8-FK	8"x 8" Full Kit (260 PC)	130.0
MSH8-CK	MSH 8"x 8" Crib Kit (130 PC)	83.0
MSH001	MSH 8"x 8" .001 (20 PC)	0.4
MSH002	MSH 8"x 8" .002 (20 PC)	0.8
MSH003	MSH 8"x 8" .003 (20 PC)	1.0
MSH004	MSH 8"x 8" .004 (20 PC)	1.4
MSH005	MSH 8"x 8" .005 (20 PC)	1.8
MSH010	MSH 8"x 8" .010 (20 PC)	3.6
MSH015	MSH 8"x 8" .015 (20 PC)	4.0
MSH020	MSH 8"x 8" .020 (20 PC)	5.0
MSH025	MSH 8"x 8" .025 (20 PC)	9.0
MSH050	MSH 8"x 8" .050 (10 PC)	9.0
MSH075	MSH 8"x 8" .075 (10 PC)	14.0
MSH100	MSH 8"x 8" .100 (5 PC)	10.0
MSH125	MSH 8"x 8" .125 (5 PC)	12.5

“H” Replacement Packs

8" x 8" Shims are now available for purchase in replacement packs. They are available in the following thicknesses only: .001, .002, .003, .004, .005, .010, .015, .020, .025, .050, .075, .100, .125

The above components are available for individual purchase. Call for pricing and availability.

302/304 SS "A" & "B" Replacement Packs



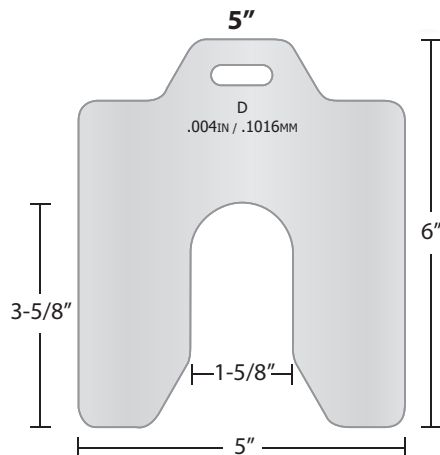
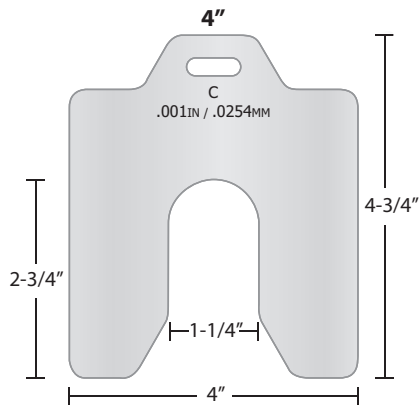
2" Slotted Shims Replacement Pack

P/N	Description	WT (lbs)
MSA001-20	MSA 2"x 2" .001 (20 PC)	0.1
MSA002-20	MSA 2"x 2" .002 (20 PC)	0.1
MSA003-20	MSA 2"x 2" .003 (20 PC)	0.1
MSA004-20	MSA 2"x 2" .004 (20 PC)	0.1
MSA005-20	MSA 2"x 2" .005 (20 PC)	0.1
MSA006-20	MSA 2"x 2" .006 (20 PC)	0.2
MSA007-20	MSA 2"x 2" .007 (20 PC)	0.2
MSA008-20	MSA 2"x 2" .008 (20 PC)	0.2
MSA009-20	MSA 2"x 2" .009 (20 PC)	0.2
MSA010-20	MSA 2"x 2" .010 (20 PC)	0.2
MSA012-20	MSA 2"x 2" .012 (20 PC)	0.3
MSA015-20	MSA 2"x 2" .015 (20 PC)	0.3
MSA020-20	MSA 2"x 2" .020 (20 PC)	0.4
MSA025-20	MSA 2"x 2" .025 (20 PC)	0.5
MSA031-20	MSA 2"x 2" .031 (20 PC)	0.7
MSA050-10	MSA 2"x 2" .050 (10 PC)	0.5
MSA062-10	MSA 2"x 2" .062 (10 PC)	0.5
MSA075-10	MSA 2"x 2" .075 (10 PC)	0.8
MSA100-5	MSA 2"x 2" .100 (5 PC)	0.5
MSA125-5	MSA 2"x 2" .125 (5 PC)	0.6

3" Slotted Shims Replacement Pack

P/N	Description	WT (lbs)
MSB001-20	MSB 3"x 3" .001 (20 PC)	0.1
MSB002-20	MSB 3"x 3" .002 (20 PC)	0.1
MSB003-20	MSB 3"x 3" .003 (20 PC)	0.2
MSB004-20	MSB 3"x 3" .004 (20 PC)	0.2
MSB005-20	MSB 3"x 3" .005 (20 PC)	0.3
MSB006-20	MSB 3"x 3" .006 (20 PC)	0.3
MSB007-20	MSB 3"x 3" .007 (20 PC)	0.4
MSB008-20	MSB 3"x 3" .008 (20 PC)	0.5
MSB009-20	MSB 3"x 3" .009 (20 PC)	0.6
MSB010-20	MSB 3"x 3" .010 (20 PC)	0.7
MSB012-20	MSB 3"x 3" .012 (20 PC)	0.8
MSB015-20	MSB 3"x 3" .015 (20 PC)	0.9
MSB020-20	MSB 3"x 3" .020 (20 PC)	1.0
MSB025-20	MSB 3"x 3" .025 (20 PC)	1.2
MSB031-20	MSB 3"x 3" .031 (20 PC)	1.5
MSB050-10	MSB 3"x 3" .050 (10 PC)	1.2
MSB062-10	MSB 3"x 3" .062 (10 PC)	1.5
MSB075-10	MSB 3"x 3" .075 (10 PC)	1.8
MSB100-5	MSB 3"x 3" .100 (5 PC)	1.2
MSB125-5	MSB 3"x 3" .125 (5 PC)	1.5

302/304 SS "C" & "D" Replacement Packs



4" Slotted Shims Replacement Pack

P/N	Description	WT (lbs)
MSC001-20	MSC 4"x 4" .001 (20 PC)	0.1
MSC002-20	MSC 4"x 4" .002 (20 PC)	0.2
MSC003-20	MSC 4"x 4" .003 (20 PC)	0.3
MSC004-20	MSC 4"x 4" .004 (20 PC)	0.4
MSC005-20	MSC 4"x 4" .005 (20 PC)	0.4
MSC006-20	MSC 4"x 4" .006 (20 PC)	0.6
MSC007-20	MSC 4"x 4" .007 (20 PC)	0.7
MSC008-20	MSC 4"x 4" .008 (20 PC)	0.7
MSC009-20	MSC 4"x 4" .009 (20 PC)	0.8
MSC010-20	MSC 4"x 4" .010 (20 PC)	0.8
MSC012-20	MSC 4"x 4" .012 (20 PC)	1.0
MSC015-20	MSC 4"x 4" .015 (20 PC)	1.3
MSC020-20	MSC 4"x 4" .020 (20 PC)	1.7
MSC025-20	MSC 4"x 4" .025 (20 PC)	2.1
MSC031-20	MSC 4"x 4" .031 (20 PC)	2.6
MSC050-10	MSC 4"x 4" .050 (10 PC)	2.1
MSC062-10	MSC 4"x 4" .062 (10 PC)	2.6
MSC075-10	MSC 4"x 4" .075 (10 PC)	3.1
MSC100-5	MSC 4"x 4" .100 (5 PC)	2.1
MSC125-5	MSC 4"x 4" .125 (5 PC)	2.5

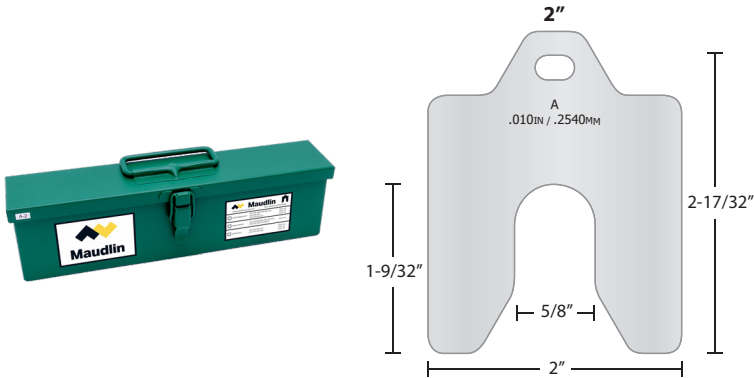
5" Slotted Shims Replacement Pack

P/N	Description	WT (lbs)
MSD001-20	MSD 5"x 5" .001 (20 PC)	0.2
MSD002-20	MSD 5"x 5" .002 (20 PC)	0.3
MSD003-20	MSD 5"x 5" .003 (20 PC)	0.4
MSD004-20	MSD 5"x 5" .004 (20 PC)	0.5
MSD005-20	MSD 5"x 5" .005 (20 PC)	0.7
MSD006-20	MSD 5"x 5" .006 (20 PC)	0.8
MSD007-20	MSD 5"x 5" .007 (20 PC)	0.9
MSD008-20	MSD 5"x 5" .008 (20 PC)	1.0
MSD009-20	MSD 5"x 5" .009 (20 PC)	1.1
MSD010-20	MSD 5"x 5" .010 (20 PC)	1.3
MSD012-20	MSD 5"x 5" .012 (20 PC)	1.7
MSD015-20	MSD 5"x 5" .015 (20 PC)	2.0
MSD020-20	MSD 5"x 5" .020 (20 PC)	3.0
MSD025-20	MSD 5"x 5" .025 (20 PC)	3.2
MSD031-20	MSD 5"x 5" .031 (20 PC)	4.0
MSD050-10	MSD 5"x 5" .050 (10 PC)	3.3
MSD062-10	MSD 5"x 5" .062 (10 PC)	4.0
MSD075-10	MSD 5"x 5" .075 (10 PC)	4.7
MSD100-5	MSD 5"x 5" .100 (5 PC)	3.1
MSD125-5	MSD 5"x 5" .125 (5 PC)	3.8

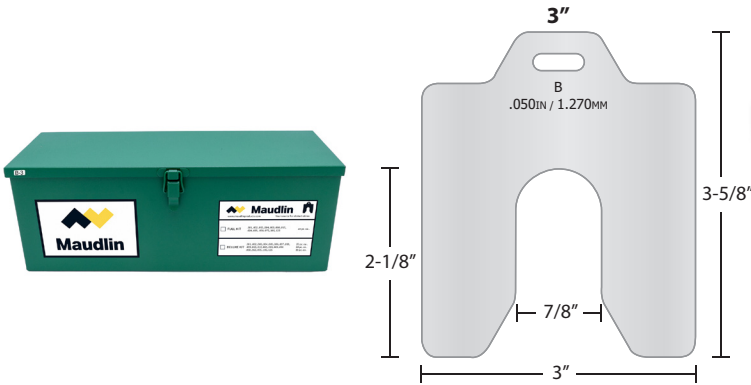
316 SS Slotted Shims



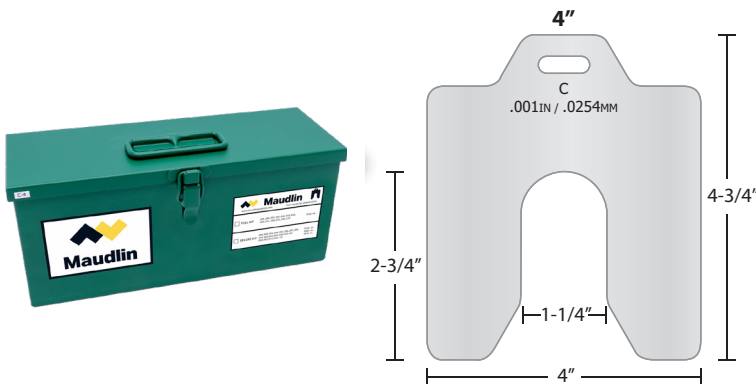
The "A", "B", and "C" 316 SS Service Kit comes in a green metal box including a shim lock, removal tool, and dividers. 316 SS Slotted Shims are only available in the service kit or replacement packs.



P/N	Description	WT (lbs)
316-MSA001-20	316 MSA 2"x 2" .001 (20 PC)	0.1
316-MSA003-20	316 MSA 2"x 2" .003 (20 PC)	0.1
316-MSA005-20	316 MSA 2"x 2" .005 (20 PC)	0.1
316-MSA010-20	316 MSA 2"x 2" .010 (20 PC)	0.2
316-MSA015-20	316 MSA 2"x 2" .015 (20 PC)	0.3
316-MSA020-20	316 MSA 2"x 2" .020 (20 PC)	0.4
316-MSA025-20	316 MSA 2"x 2" .025 (20 PC)	0.5
316-MSA050-10	316 MSA 2"x 2" .050 (10 PC)	0.5
316-MSA125-5	316 MSA 2"x 2" .125 (5 PC)	1.2
316-MSA2-SK	316 SS Service Kit (90 PC)	2.0



P/N	Description	WT (lbs)
316-MSB001-20	316 MSB 3"x 3" .001 (20 PC)	0.1
316-MSB003-20	316 MSB 3"x 3" .003 (20 PC)	0.2
316-MSB005-20	316 MSB 3"x 3" .005 (20 PC)	0.3
316-MSB010-20	316 MSB 3"x 3" .010 (20 PC)	0.7
316-MSB015-20	316 MSB 3"x 3" .015 (20 PC)	0.9
316-MSB020-20	316 MSB 3"x 3" .020 (20 PC)	1.0
316-MSB025-20	316 MSB 3"x 3" .025 (20 PC)	1.2
316-MSB050-10	316 MSB 3"x 3" .050 (10 PC)	1.2
316-MSB125-5	316 MSB 3"x 3" .125 (5 PC)	3.0
316-MSB3-SK	316 SS Service Kit (90 PC)	3.0

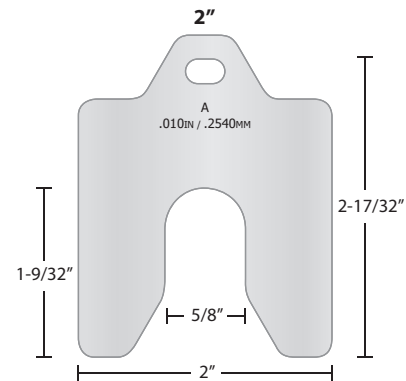


P/N	Description	WT (lbs)
316-MSC001-20	316 MSC 4"x 4" .001 (20 PC)	0.2
316-MSC003-20	316 MSC 4"x 4" .003 (20 PC)	0.3
316-MSC005-20	316 MSC 4"x 4" .005 (20 PC)	0.4
316-MSC010-20	316 MSC 4"x 4" .010 (20 PC)	0.8
316-MSC015-20	316 MSC 4"x 4" .015 (20 PC)	1.3
316-MSC020-20	316 MSC 4"x 4" .020 (20 PC)	1.7
316-MSC025-20	316 MSC 4"x 4" .025 (20 PC)	2.1
316-MSC050-10	316 MSC 4"x 4" .050 (10 PC)	2.1
316-MSC125-5	316 MSC 4"x 4" .125 (5 PC)	5.0
316-MSC4-SK	316 SS Service Kit (90 PC)	6.0

304 SS Thick Slotted Shims

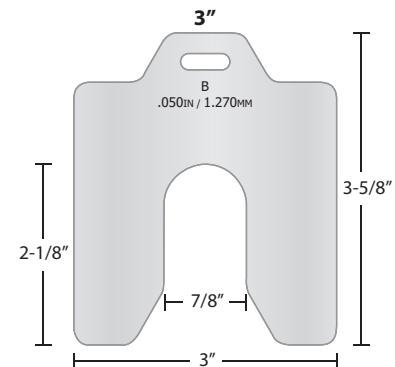
“A” 2" x 2" Thick Shims

P/N	Description	WT (lbs)
MSA-187-SS	MSA 2" x 2" 3/16"	0.2
MSA-250-SS	MSA 2" x 2" 1/4"	0.3
MSA-375-SS	MSA 2" x 2" 3/8"	0.4
MSA-500-SS	MSA 2" x 2" 1/2"	0.5
MSA-625-SS	MSA 2" x 2" 5/8"	0.6
MSA-750-SS	MSA 2" x 2" 3/4"	0.8
MSA-100-SS	MSA 2" x 2" 1"	1.0



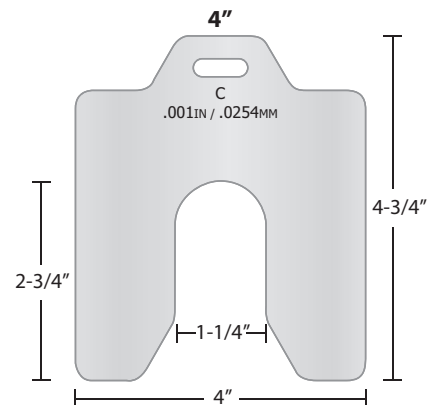
“B” 3" x 3" Thick Shims

P/N	Description	WT (lbs)
MSB-187-SS	MSB 3" x 3" 3/16"	0.4
MSB-250-SS	MSB 3" x 3" 1/4"	0.6
MSB-375-SS	MSB 3" x 3" 3/8"	0.8
MSB-500-SS	MSB 3" x 3" 1/2"	1.0
MSB-625-SS	MSB 3" x 3" 5/8"	1.4
MSB-750-SS	MSB 3" x 3" 3/4"	1.7
MSB-100-SS	MSB 3" x 3" 1"	2.2



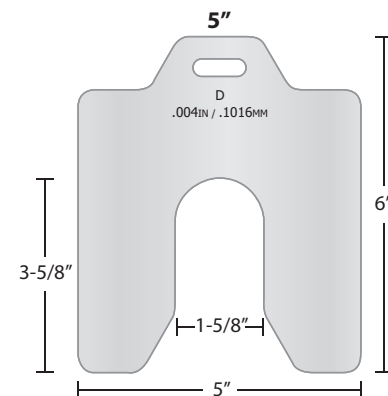
“C” 4" x 4" Thick Shims

P/N	Description	WT (lbs)
MSC-187-SS	MSC 4" x 4" 3/16"	0.7
MSC-250-SS	MSC 4" x 4" 1/4"	1.0
MSC-375-SS	MSC 4" x 4" 3/8"	1.5
MSC-500-SS	MSC 4" x 4" 1/2"	2.0
MSC-625-SS	MSC 4" x 4" 5/8"	2.4
MSC-750-SS	MSC 4" x 4" 3/4"	2.9
MSC-100-SS	MSC 4" x 4" 1"	3.8



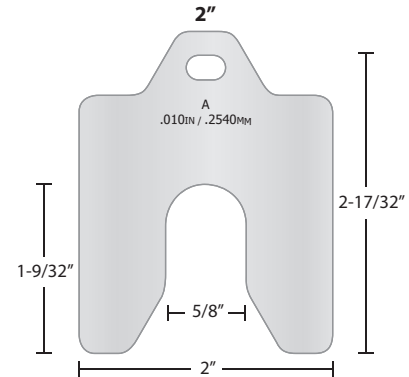
“D” 5" x 5" Thick Shims

P/N	Description	WT (lbs)
MSD-187-SS	MSD 5" x 5" 3/16"	1.1
MSD-250-SS	MSD 5" x 5" 1/4"	1.5
MSD-375-SS	MSD 5" x 5" 3/8"	2.3
MSD-500-SS	MSD 5" x 5" 1/2"	3.0
MSD-625-SS	MSD 5" x 5" 5/8"	3.8
MSD-750-SS	MSD 5" x 5" 3/4"	4.4
MSD-100-SS	MSD 5" x 5" 1"	6.0



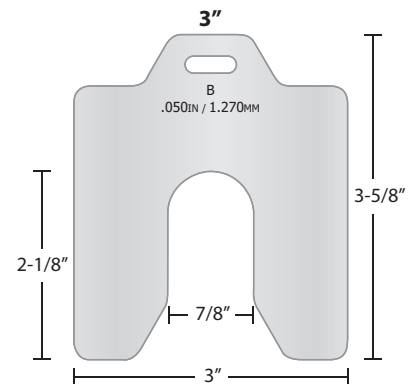
“A” 2" x 2" Thick Shims

P/N	Description	WT (lbs)
MSA-187-S	MSA 2" x 2" 3/16"	0.2
MSA-250-S	MSA 2" x 2" 1/4"	0.3
MSA-375-S	MSA 2" x 2" 3/8"	0.4
MSA-500-S	MSA 2" x 2" 1/2"	0.5
MSA-625-S	MSA 2" x 2" 5/8"	0.6
MSA-750-S	MSA 2" x 2" 3/4"	0.8
MSA-100-S	MSA 2" x 2" 1"	1.0



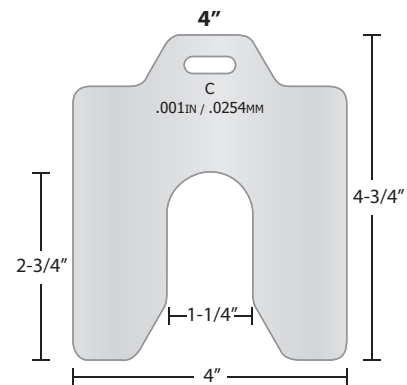
“B” 3" x 3" Thick Shims

P/N	Description	WT (lbs)
MSB-187-S	MSB 3" x 3" 3/16"	0.4
MSB-250-S	MSB 3" x 3" 1/4"	0.6
MSB-375-S	MSB 3" x 3" 3/8"	0.8
MSB-500-S	MSB 3" x 3" 1/2"	1.0
MSB-625-S	MSB 3" x 3" 5/8"	1.4
MSB-750-S	MSB 3" x 3" 3/4"	1.7
MSB-100-S	MSB 3" x 3" 1"	2.2



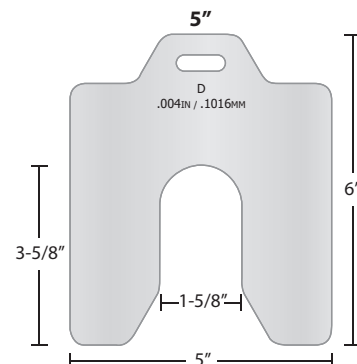
“C” 4" x 4" Thick Shims

P/N	Description	WT (lbs)
MSC-187-S	MSC 4" x 4" 3/16"	0.7
MSC-250-S	MSC 4" x 4" 1/4"	1.0
MSC-375-S	MSC 4" x 4" 3/8"	1.5
MSC-500-S	MSC 4" x 4" 1/2"	2.0
MSC-625-S	MSC 4" x 4" 5/8"	2.4
MSC-750-S	MSC 4" x 4" 3/4"	2.9
MSC-100-S	MSC 4" x 4" 1"	3.8



“D” 5" x 5" Thick Shims

P/N	Description	WT (lbs)
MSD-187-S	MSD 5" x 5" 3/16"	1.1
MSD-250-S	MSD 5" x 5" 1/4"	1.5
MSD-375-S	MSD 5" x 5" 3/8"	2.3
MSD-500-S	MSD 5" x 5" 1/2"	3.0
MSD-625-S	MSD 5" x 5" 5/8"	3.8
MSD-750-S	MSD 5" x 5" 3/4"	4.4
MSD-100-S	MSD 5" x 5" 1"	6.0



Manufactured per Request

302/304 SS Coil Shim Stock Specs



302/304 Shim Coil is individually packaged and marked with red labels identifying thickness, width, length, and material. Heat numbers are included in every box for easy traceability.

Thickness	6" Wide	12" Wide	24" Wide
.001"	✓	✓	
.002"	✓	✓	✓
.003"	✓	✓	✓
.004"	✓	✓	✓
.005"	✓	✓	✓
.006"	✓	✓	
.007"	✓	✓	✓
.008"	✓	✓	
.009"	✓	✓	
.010"	✓	✓	✓
.012"	✓	✓	
.015"	✓	✓	✓
.020"	✓	✓	✓
.025"	✓	✓	✓
.031"	✓	✓	✓

Thickness	Tolerance
.001"	+/- .00008
.002"	+/- .0001
.003"	+/- .00015
.004"	+/- .0002
.005"	+/- .00025
.006" - .020"	+/- .0005
.025" - .035"	+/- .0008

Material Specs	
Carbon	.15 Max
Manganese	2.00 Max
Sulphur	.03 Max
Nickel	8.00 – 10.00
Silicon	.75 Max
Phosphorus	.045 Max
Chromium	17.00 – 19.00
Nitrogen	.10 Max
Temper	Full Hard
Rockwell	40-45 C Scale
Tensile	185,000 P.S.I. Min
Yield Strength	140,000 P.S.I. Min
Elongation	4% in 2"
Applicable Specs	AMS 5906B & ASTM-A-666-03

6" and 12" Wide 302/304 SS Coil Shim

6" x 50" Coil

P/N	Description	WT (lbs)
001-6-50	.001" x 6" x 50"	0.2
002-6-50	.002" x 6" x 50"	0.3
003-6-50	.003" x 6" x 50"	0.3
004-6-50	.004" x 6" x 50"	0.4
005-6-50	.005" x 6" x 50"	0.6
006-6-50	.006" x 6" x 50"	0.6
007-6-50	.007" x 6" x 50"	0.7
008-6-50	.008" x 6" x 50"	0.8
009-6-50	.009" x 6" x 50"	0.9
010-6-50	.010" x 6" x 50"	1.0
012-6-50	.012" x 6" x 50"	1.2
015-6-50	.015" x 6" x 50"	1.5
020-6-50	.020" x 6" x 50"	2.2
025-6-50	.025" x 6" x 50"	2.7
031-6-50	.031" x 6" x 50"	3.2

6" x 100" Coil

P/N	Description	WT (lbs)
001-6-100	.001" x 6" x 100"	0.2
002-6-100	.002" x 6" x 100"	0.3
003-6-100	.003" x 6" x 100"	0.3
004-6-100	.004" x 6" x 100"	0.4
005-6-100	.005" x 6" x 100"	0.6
006-6-100	.006" x 6" x 100"	0.6
007-6-100	.007" x 6" x 100"	0.7
008-6-100	.008" x 6" x 100"	0.8
009-6-100	.009" x 6" x 100"	0.9
010-6-100	.010" x 6" x 100"	1.0
012-6-100	.012" x 6" x 100"	1.2
015-6-100	.015" x 6" x 100"	1.5
020-6-100	.020" x 6" x 100"	2.2
025-6-100	.025" x 6" x 100"	2.7
031-6-100	.031" x 6" x 100"	3.2



12" x 50" Coil

P/N	Description	WT (lbs)
001-12-50	.001" x 12" x 50"	0.6
002-12-50	.002" x 12" x 50"	0.6
003-12-50	.003" x 12" x 50"	0.8
004-12-50	.004" x 12" x 50"	1.0
005-12-50	.005" x 12" x 50"	1.1
006-12-50	.006" x 12" x 50"	1.3
007-12-50	.007" x 12" x 50"	1.5
008-12-50	.008" x 12" x 50"	1.6
009-12-50	.009" x 12" x 50"	1.1
010-12-50	.010" x 12" x 50"	2.1
012-12-50	.012" x 12" x 50"	2.5
015-12-50	.015" x 12" x 50"	3.0
020-12-50	.020" x 12" x 50"	4.5
025-12-50	.025" x 12" x 50"	5.3
031-12-50	.031" x 12" x 50"	6.0

12" x 100" Coil

P/N	Description	WT (lbs)
001-12-100	.001" x 12" x 100"	1.2
002-12-100	.002" x 12" x 100"	1.2
003-12-100	.003" x 12" x 100"	1.6
004-12-100	.004" x 12" x 100"	1.9
005-12-100	.005" x 12" x 100"	2.2
006-12-100	.006" x 12" x 100"	2.5
007-12-100	.007" x 12" x 100"	2.9
008-12-100	.008" x 12" x 100"	3.2
009-12-100	.009" x 12" x 100"	3.8
010-12-100	.010" x 12" x 100"	4.3
012-12-100	.012" x 12" x 100"	5.0
015-12-100	.015" x 12" x 100"	6.0
020-12-100	.020" x 12" x 100"	8.9
025-12-100	.025" x 12" x 100"	10.6
031-12-100	.031" x 12" x 100"	11.0

24" Wide 302/304 SS Coil Shim & Flat Packs

24" x 50" Coil

P/N	Description	WT (lbs)
002-24-50	.002" x 24" x 50"	1.2
003-24-50	.003" x 24" x 50"	1.6
004-24-50	.004" x 24" x 50"	1.9
005-24-50	.005" x 24" x 50"	2.2
007-24-50	.007" x 24" x 50"	2.9
010-24-50	.010" x 24" x 50"	4.3
015-24-50	.015" x 24" x 50"	6.0
020-24-50	.020" x 24" x 50"	8.9
025-24-50	.025" x 24" x 50"	10.6
031-24-50	.031" x 24" x 50"	10.6

24" x 100" Coil

P/N	Description	WT (lbs)
002-24-100	.002" x 24" x 100"	2.5
003-24-100	.003" x 24" x 100"	3.1
004-24-100	.004" x 24" x 100"	3.8
005-24-100	.005" x 24" x 100"	4.4
007-24-100	.007" x 24" x 100"	5.5
010-24-100	.010" x 24" x 100"	8.6
015-24-100	.015" x 24" x 100"	12.0
020-24-100	.020" x 24" x 100"	17.8
025-24-100	.025" x 24" x 100"	21.2
031-24-100	.031" x 24" x 100"	21.2



Flat Packs

P/N	Description	WT (lbs)
MFSS-08	.008" x 6" x 25" (2 PC) Flat Pack	1.1
MFSS-10	.010" x 6" x 25" (2 PC) Flat Pack	1.3
MFSS-12	.012" x 6" x 25" (2 PC) Flat Pack	1.6
MFSS-15	.015" x 6" x 25" (2 PC) Flat Pack	1.7
MFSS-20	.020" x 6" x 25" (2 PC) Flat Pack	2.2
MFSS-25	.025" x 6" x 25" (2 PC) Flat Pack	2.7
MFSS-31	.031" x 6" x 25" (2 PC) Flat Pack	3.2
MFSS-A	6" x 12" (8 PC) Flat Pack (1 PC) each .001, .002, .003, .005, .008, .010, .015, .020	1.6

316 SS Coil Shim

Stock Specs



316 SS Shim Coil is individually packaged and marked with blue labels identifying thickness, width, length, and material. Heat numbers are included in every box for easy traceability.

Thickness	6" Wide	12" Wide	24" Wide
.001"			
.002"	✓	✓	✓
.003"	✓	✓	✓
.004"	✓	✓	✓
.005"	✓	✓	✓
.006"			
.007"	✓	✓	✓
.008"			
.009"			
.010"	✓	✓	✓
.012"			
.015"	✓	✓	✓
.020"	✓	✓	✓
.025"	✓	✓	✓
.031"	✓	✓	✓

Thickness	Tolerance
.001"	+/- .00008
.002"	+/- .0001
.003"	+/- .00015
.004"	+/- .0002
.005"	+/- .00025
.006" - .020"	+/- .0005
.025" - .035"	+/- .0008

Material Specs	
Carbon	.03 Max
Manganese	2.00 Max
Sulphur	.03 Max
Nickel	10.00 - 14.00
Silicon	.75 Max
Phosphorus	.045 Max
Chromium	16.00 - 19.00
Nitrogen	.10 Max
Molybdenum	
Temper	Annealed
Rockwell	40-45 C Scale
Tensile	185,000 P.S.I. Min
Yield Strength	140,000 P.S.I. Min
Elongation	4% in 2"
Applicable Specs	AMS 5906B & ASTM-A-666-03

6" and 12" Wide 316 SS Coil Shim

6" x 50" Coil

P/N	Description	WT (lbs)
316-002-6-50	.002" x 6" x 50"	0.2
316-003-6-50	.003" x 6" x 50"	0.3
316-004-6-50	.004" x 6" x 50"	0.3
316-005-6-50	.005" x 6" x 50"	0.4
316-007-6-50	.007" x 6" x 50"	0.6
316-010-6-50	.010" x 6" x 50"	0.6
316-015-6-50	.015" x 6" x 50"	0.7
316-020-6-50	.020" x 6" x 50"	0.8
316-025-6-50	.025" x 6" x 50"	1.0
316-031-6-50	.031" x 6" x 50"	1.0

6" x 100" Coil

P/N	Description	WT (lbs)
316-002-6-100	.002" x 6" x 100"	0.4
316-003-6-100	.003" x 6" x 100"	0.5
316-004-6-100	.004" x 6" x 100"	0.7
316-005-6-100	.005" x 6" x 100"	0.9
316-007-6-100	.007" x 6" x 100"	1.1
316-010-6-100	.010" x 6" x 100"	1.3
316-015-6-100	.015" x 6" x 100"	1.5
316-020-6-100	.020" x 6" x 100"	1.6
316-025-6-100	.025" x 6" x 100"	2.0
316-031-6-100	.031" x 6" x 100"	2.0



12" x 50" Coil

P/N	Description	WT (lbs)
316-002-12-50	.002" x 12" x 50"	0.6
316-003-12-50	.003" x 12" x 50"	0.8
316-004-12-50	.004" x 12" x 50"	1.0
316-005-12-50	.005" x 12" x 50"	1.1
316-007-12-50	.007" x 12" x 50"	1.5
316-010-12-50	.010" x 12" x 50"	2.1
316-015-12-50	.015" x 12" x 50"	3.0
316-020-12-50	.020" x 12" x 50"	4.5
316-025-12-50	.025" x 12" x 50"	5.3
316-031-12-50	.031" x 12" x 50"	5.3

12" x 100" Coil

P/N	Description	WT (lbs)
316-002-12-100	.002" x 12" x 100"	1.2
316-003-12-100	.003" x 12" x 100"	1.6
316-004-12-100	.004" x 12" x 100"	1.9
316-005-12-100	.005" x 12" x 100"	2.2
316-007-12-100	.007" x 12" x 100"	2.9
316-010-12-100	.010" x 12" x 100"	4.3
316-015-12-100	.015" x 12" x 100"	6.0
316-020-12-100	.020" x 12" x 100"	8.9
316-025-12-100	.025" x 12" x 100"	10.6
316-031-12-100	.031" x 12" x 100"	10.6

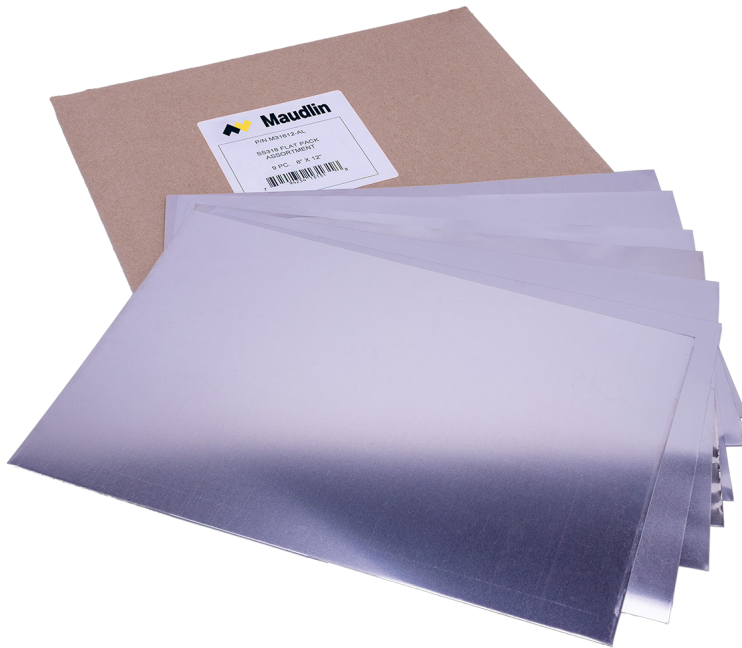
24" Wide 316 SS Coil Shim & Flat Packs

24" x 50" Coil

P/N	Description	WT (lbs)
316-002-24-50	.002" x 24" x 50"	1.2
316-003-24-50	.003" x 24" x 50"	1.6
316-004-24-50	.004" x 24" x 50"	1.9
316-005-24-50	.005" x 24" x 50"	2.2
316-007-24-50	.007" x 24" x 50"	2.9
316-010-24-50	.010" x 24" x 50"	4.3
316-015-24-50	.015" x 24" x 50"	6.0
316-020-24-50	.020" x 24" x 50"	8.9
316-025-24-50	.025" x 24" x 50"	10.6
316-031-24-50	.031" x 24" x 50"	10.6

24" x 100" Coil

P/N	Description	WT (lbs)
316-002-24-100	.002" x 24" x 100"	2.5
316-003-24-100	.003" x 24" x 100"	3.1
316-004-24-100	.004" x 24" x 100"	3.8
316-005-24-100	.005" x 24" x 100"	4.4
316-007-24-100	.007" x 24" x 100"	5.5
316-010-24-100	.010" x 24" x 100"	8.6
316-015-24-100	.015" x 24" x 100"	12.0
316-020-24-100	.020" x 24" x 100"	17.8
316-025-24-100	.025" x 24" x 100"	21.2
316-031-24-100	.031" x 24" x 100"	21.2



316 stainless steel is a high-grade material designed for use in highly corrosive environments.

It provides superior corrosion resistance and longer service life than lower stainless steel grades such as 302 and 304.

Flat Packs 5 PC 8" x 12"

P/N	Description	WT (lbs)
M31612-1	.001" x 8" x 12" (5 PC)	0.1
M31612-2	.002" x 8" x 12" (5 PC)	0.1
M31612-3	.003" x 8" x 12" (5 PC)	0.1
M31612-4	.004" x 8" x 12" (5 PC)	0.1
M31612-5	.005" x 8" x 12" (5 PC)	0.1
M31612-7	.007" x 8" x 12" (5 PC)	0.1
M31612-10	.010" x 8" x 12" (5 PC)	0.1
M31612-12	.012" x 8" x 12" (5 PC)	0.1
M31612-15	.015" x 8" x 12" (5 PC)	0.1
M31612-20	.020" x 8" x 12" (5 PC)	0.1
M31612-AL	1PC each 8" x 12" .001, .002, .003, .004, .005, .007, .010, .015, .020	2.20

Flat Packs 2 PC 6" x 25"

P/N	Description	WT (lbs)
M31625-12	.012" x 6" x 25" (2 PC)	0.5
M31625-15	.015" x 6" x 25" (2 PC)	0.7
M31625-20	.020" x 6" x 25" (2 PC)	0.9
M31625-25	.025" x 6" x 25" (2 PC)	1.1
M31625-31	.031" x 6" x 25" (2 PC)	1.4

260 Brass Coil Shim Stock Specs



Brass Shim Coil is individually packaged and marked with yellow labels identifying thickness, width, length, and material. Heat numbers are included in every box for easy traceability.

Thickness	6" Wide	12" Wide
.001"	✓	
.002"	✓	✓
.003"	✓	✓
.004"	✓	✓
.005"	✓	✓
.006"	✓	✓
.007"	✓	
.008"	✓	
.010"	✓	
.012"	✓	✓
.015"	✓	
.020"	✓	✓
.025"	✓	✓
.031"	✓	

6" Coil available in 50" & 100" lengths
12" Coil available in 120" length only

Thickness	Tolerance
.001"	+/- .00006
.002"	+/- .0006
.003"	+/- .0007
.004"	+/- .0008
.005"	+/- .0008
.006" - .020"	+/- .0015
.025" - .035"	+/- .002

Material Specs	
Copper	68.5 – 71.5
Lead	.050 Max
Iron	.050 Max
Zinc	Balance
Temper	1/2 Hard 2 B & S #S Hard
Rockwell	30 T Approx 56 - 58
Tensile	Approx 62,000 PSI
Elongation	23% in 2"
Applicable Specs	ASTMB - 36

6" and 12" Wide 260 Brass Coil Shim

6" x 50" Coil

P/N	Description	WT (lbs)
B001-50	.001" x 6" x 50"	0.2
B002-50	.002" x 6" x 50"	0.2
B003-50	.003" x 6" x 50"	0.3
B004-50	.004" x 6" x 50"	0.4
B005-50	.005" x 6" x 50"	0.5
B006-50	.006" x 6" x 50"	0.6
B007-50	.007" x 6" x 50"	0.7
B008-50	.008" x 6" x 50"	0.8
B010-50	.010" x 6" x 50"	1.0
B012-50	.012" x 6" x 50"	1.2
B015-50	.015" x 6" x 50"	1.5
B020-50	.020" x 6" x 50"	1.8
B025-50	.025" x 6" x 50"	2.5
B031-50	.031" x 6" x 50"	3.1

6" x 100" Coil

P/N	Description	WT (lbs)
B001-100	.001" x 6" x 100"	0.3
B002-100	.002" x 6" x 100"	0.5
B003-100	.003" x 6" x 100"	0.6
B004-100	.004" x 6" x 100"	0.8
B005-100	.005" x 6" x 100"	1.0
B006-100	.006" x 6" x 100"	1.5
B007-100	.007" x 6" x 100"	1.6
B008-100	.008" x 6" x 100"	1.6
B010-100	.010" x 6" x 100"	2.0
B012-100	.012" x 6" x 100"	2.4
B015-100	.015" x 6" x 100"	3.1
B020-100	.020" x 6" x 100"	3.7
B025-100	.025" x 6" x 100"	5.1
B031-100	.031" x 6" x 100"	6.1



12" x 120" Coil

P/N	Description	WT (lbs)
B001-12-120	.001" x 12" x 120"	0.4
B002-12-120	.002" x 12" x 120"	0.9
B003-12-120	.003" x 12" x 120"	1.4
B004-12-120	.004" x 12" x 120"	1.8
B005-12-120	.005" x 12" x 120"	2.2
B010-12-120	.010" x 12" x 120"	4.4
B015-12-120	.015" x 12" x 120"	7.1
B020-12-120	.020" x 12" x 120"	8.9

260 Brass Flat Packs



Flat Pack Assortments 2 PC 6" x 12"

P/N	Description	WT (lbs)
MFB-12	.012" x 6" x 12" (2 PC)	1.5
MFB-15	.015" x 6" x 12" (2 PC)	1.8
MFB-20	.020" x 6" x 12" (2 PC)	2.3
MFB-25	.025" x 6" x 12" (2 PC)	2.8
MFB-31	.031" x 6" x 12" (2 PC)	3.3

Flat Pack Assortments 2 PC 6" x 25"

P/N	Description	WT (lbs)
MFB25-12	.012" x 6" x 25" (2 PC)	1.5
MFB25-15	.015" x 6" x 25" (2 PC)	1.8
MFB25-20	.020" x 6" x 25" (2 PC)	2.3
MFB25-25	.025" x 6" x 25" (2 PC)	2.8
MFB25-31	.031" x 6" x 25" (2 PC)	3.3

Flat Pack 10 PC 6" x 18"

P/N	Description	WT (lbs)
MFB18-01	.001" x 6" x 18" (10 PC)	0.6
MFB18-02	.002" x 6" x 18" (10 PC)	1.1
MFB18-03	.003" x 6" x 18" (10 PC)	1.2
MFB18-04	.004" x 6" x 18" (10 PC)	2.0
MFB18-05	.005" x 6" x 18" (10 PC)	1.9
MFB18-06	.006" x 6" x 18" (10 PC)	2.3
MFB18-07	.007" x 6" x 18" (10 PC)	2.6
MFB18-08	.008" x 6" x 18" (10 PC)	2.9
MFB18-09	.009" x 6" x 18" (10 PC)	3.0
MFB18-10	.010" x 6" x 18" (10 PC)	3.6
MFB18-12	.012" x 6" x 18" (10 PC)	4.3
MFB18-15	.015" x 6" x 18" (10 PC)	5.4
MFB18-20	.020" x 6" x 18" (10 PC)	7.0
MFB18-25	.025" x 6" x 18" (10 PC)	8.7
MFB18-31	.031" x 6" x 18" (10 PC)	10.6

Flat Pack Assortments

P/N	Description	WT (lbs)
FBA-612	6" x 12" Assortment (11 PC) 1 PC each .001 - .008, .010, .012, .015	2.8
FBA-612L	6" x 12" Assortment (14 PC) 1 PC each .001 - .008, .010, .012, .015 .020, .025, .031	3.0
B650-A	6" x 50" Assortment (4 PC) 1 PC each .001, .002, .003, .004	1.1
MFB18-AS	6" x 18" Assortment (11 PC) 1 PC each .001 - .008, .010, .012, .015	2.8
MFB18-AL	6" x 18" Assortment (14 PC) 1 PC each .001 - .008, .010, .012, .015 .020, .025, .031	5.3

1008/1010 Steel Coil Shim Stock Specs



1008/1010 Steel Shim coil is individually packaged and marked with blue labels identifying thickness, width, length, and material. Heat numbers are included in every box for easy traceability.

Thickness	6" Wide	12" Wide	24" Wide
.001"	✓		
.002"	✓	✓	✓
.003"	✓	✓	✓
.004"	✓		
.005"	✓	✓	✓
.006"	✓		
.007"	✓		✓
.008"	✓	✓	
.009"	✓		
.010"	✓	✓	✓
.012"	✓		
.015"	✓	✓	✓
.020"	✓	✓	✓
.025"	✓	✓	✓
.031"	✓		

Thickness	Tolerance
.001"	+/- .0002
.002"	+/- .0002
.003"	+/- .0002
.004"	+/- .0005
.005"	+/- .0005
.006" – .020"	+/- .00075
.025" – .035"	+/- .001

Material Specs	
Carbon	.25 Max
Manganese	1.00 Max
Sulphur	.05 Max
Phosphorus	.04 Max
Temper	Full Hard
Rockwell	90 - 100 B Scale
Applicable Specs	ASTM-A-109-98A

6", 12" & 24" Wide 1008/1010 Steel Coil Shim



6" x 100" Coil

P/N	Description	WT (lbs)
S001-6-100	.001" x 6" x 100"	0.3
S002-6-100	.002" x 6" x 100"	0.5
S003-6-100	.003" x 6" x 100"	0.6
S004-6-100	.004" x 6" x 100"	0.7
S005-6-100	.005" x 6" x 100"	1.0
S006-6-100	.006" x 6" x 100"	1.1
S007-6-100	.007" x 6" x 100"	1.3
S008-6-100	.008" x 6" x 100"	1.5
S009-6-100	.009" x 6" x 100"	1.7
S010-6-100	.010" x 6" x 100"	1.8
S012-6-100	.012" x 6" x 100"	2.2
S015-6-100	.015" x 6" x 100"	2.8
S020-6-100	.020" x 6" x 100"	3.9
S025-6-100	.025" x 6" x 100"	5.0
S031-6-100	.031" x 6" x 100"	6.6

12" x 100" Coil

P/N	Description	WT (lbs)
S002-12-100	.002" x 12" x 100"	0.6
S003-12-100	.003" x 12" x 100"	1.2
S005-12-100	.005" x 12" x 100"	2.2
S008-12-100	.008" x 12" x 100"	3.2
S010-12-100	.010" x 12" x 100"	4.3
S015-12-100	.015" x 12" x 100"	6.0
S020-12-100	.020" x 12" x 100"	8.9
S025-12-100	.025" x 12" x 100"	10.6

24" x 100" Coil

P/N	Description	WT (lbs)
S002-24-100	.002" x 24" x 100"	1.2
S003-24-100	.003" x 24" x 100"	2.4
S005-24-100	.005" x 24" x 100"	4.0
S008-24-100	.008" x 24" x 100"	6.0
S010-24-100	.010" x 24" x 100"	7.2
S015-24-100	.015" x 24" x 100"	11.2
S020-24-100	.020" x 24" x 100"	15.6
S025-24-100	.025" x 24" x 100"	20.0



Flat Pack 2 PC 6" x 25"

P/N	Description	WT (lbs)
MFSL-12	.012" x 6" x 25" (2 PC)	1.5
MFSL-15	.015" x 6" x 25" (2 PC)	1.7
MFSL-20	.020" x 6" x 25" (2 PC)	2.2
MFSL-25	.025" x 6" x 25" (2 PC)	2.6
MFSL-31	.031" x 6" x 25" (2 PC)	3.1

Flat Pack 10 PC 6" x 18"

P/N	Description	WT (lbs)
MFB18-1	.001" x 6" x 18" (10 PC)	0.6
MFB18-2	.002" x 6" x 18" (10 PC)	1.1
MFB18-3	.003" x 6" x 18" (10 PC)	1.2
MFB18-4	.004" x 6" x 18" (10 PC)	2.0
MFB18-5	.005" x 6" x 18" (10 PC)	2.1
MFB18-6	.006" x 6" x 18" (10 PC)	2.3
MFB18-7	.007" x 6" x 18" (10 PC)	2.6
MFB18-8	.008" x 6" x 18" (10 PC)	2.9
MFB18-10	.010" x 6" x 18" (10 PC)	3.6
MFB18-12	.012" x 6" x 18" (10 PC)	4.3
MFB18-15	.015" x 6" x 18" (10 PC)	5.4
MFB18-20	.020" x 6" x 18" (10 PC)	7.0
MFB18-25	.025" x 6" x 18" (10 PC)	8.7
MFB18-31	.031" x 6" x 18" (10 PC)	10.6

Flat Pack Assortments

P/N	Description	WT (lbs)
MFSL12-AS	6" x 12" Assortment (11 PC) 1 PC each .001 - .008, .010, .012, .015	1.7
MFSL12-AL	6" x 12" Assortment (14 PC) 1 PC each .001 - .008, .010, .012, .015 .020, .025, .031	3.3
MFSL18-AS	6" x 18" Assortment (11 PC) 1 PC each .001 - .008, .010, .012, .015	2.3
MFSL18-AL	6" x 18" Assortment (14 PC) 1 PC each .001 - .008, .010, .012, .015 .020, .025, .031	4.6
MFSL1224	12" x 24" Assortment (14 PC) 1 PC each .001 - .008, .010, .012, .015 .020, .025, .031	12.3

Plastic Shim Stock Specs

Silver .0005"
Amber .001"
Purple .0015"
Red .002"
Green .003"
Tan .004"
Blue .005"
Transparent .0075"
Brown .010"
Black .0125"
Pink .015"
Yellow .020"
White .025"
Coral .030"
Transparent .040" .050" and .060"

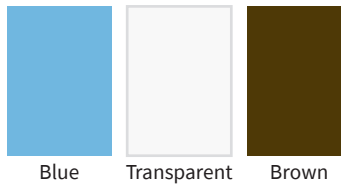
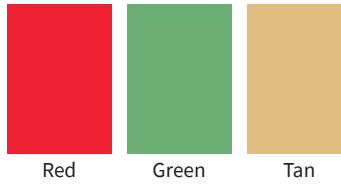
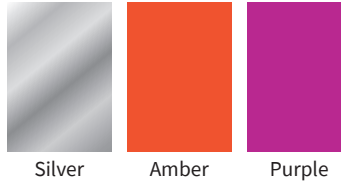
Thickness	Tolerance
.001"	+/- 5%
.002"	+/- 5%
.003"	+/- 5%
.004"	+/- 5%
.005"	+/- 5%
.006" - .020"	+/- 5%
.025" - .035"	+/- 10%
.050"	+/- 10%
.060"	+/- 10%

Thickness	Color
.0005"	Silver
.001"	Amber
.0015"	Purple
.002"	Red
.003"	Green
.004"	Tan
.005"	Blue
.0075"	Transparent
.010"	Brown
.0125"	Black
.015"	Pink
.020"	Yellow
.025"	White
.030"	Coral
.040"	Transparent
.050"	Transparent
.060"	Transparent



5" x 20" Individual Sheets

P/N	Color	Description
PL5-0005	Silver	.0005" x 5" x 20" (1 PC)
PL5-001	Amber	.001" x 5" x 20" (1 PC)
PL5-0015	Purple	.0015" x 5" x 20" (1 PC)
PL5-002	Red	.002" x 5" x 20" (1 PC)
PL5-003	Green	.003" x 5" x 20" (1 PC)
PL5-004	Tan	.004" x 5" x 20" (1 PC)
PL5-005	Blue	.005" x 5" x 20" (1 PC)
PL5-0075	Transparent	.0075" x 5" x 20" (1 PC)
PL5-010	Brown	.010" x 5" x 20" (1 PC)
PL5-0125	Black	.0125" x 5" x 20" (1 PC)
PL5-015	Pink	.015" x 5" x 20" (1 PC)
PL5-020	Yellow	.020" x 5" x 20" (1 PC)
PL5-025	White	.025" x 5" x 20" (1 PC)
PL5-030	Coral	.030" x 5" x 20" (1 PC)
PL5-040	Transparent	.040" x 5" x 20" (1 PC)
PL5-050	Transparent	.050" x 5" x 20" (1 PC)
PL5-060	Transparent	.060" x 5" x 20" (1 PC)
PL5-Assrt	14 PC Assorted	5" x 20" Assortment 1 ea .0005" through .030"

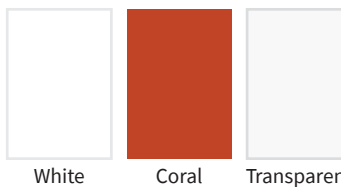
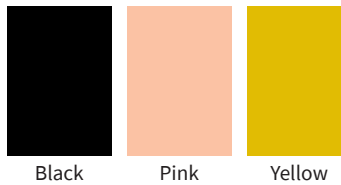


10" x 20" Individual Sheets

P/N	Color	Description
PL10-0005	Silver	.0005" x 10" x 20" (1 PC)
PL10-001	Amber	.001" x 10" x 20" (1 PC)
PL10-0015	Purple	.0015" x 10" x 20" (1 PC)
PL10-002	Red	.002" x 10" x 20" (1 PC)
PL10-003	Green	.003" x 10" x 20" (1 PC)
PL10-004	Tan	.004" x 10" x 20" (1 PC)
PL10-005	Blue	.005" x 10" x 20" (1 PC)
PL10-0075	Transparent	.0075" x 10" x 20" (1 PC)
PL10-010	Brown	.010" x 10" x 20" (1 PC)
PL10-0125	Black	.0125" x 10" x 20" (1 PC)
PL10-015	Pink	.015" x 10" x 20" (1 PC)
PL10-020	Yellow	.020" x 10" x 20" (1 PC)
PL10-025	White	.025" x 10" x 20" (1 PC)
PL10-030	Coral	.030" x 10" x 20" (1 PC)
PL10-040	Transparent	.040" x 10" x 20" (1 PC)
PL10-050	Transparent	.050" x 10" x 20" (1 PC)
PL10-060	Transparent	.060" x 10" x 20" (1 PC)
PL10-Assrt	14 PC Assorted	10" x 20" Assortment 1 ea .0005" through .030"

20" x 20" Individual Sheets

P/N	Color	Description
PL-0005S	Silver	.0005" x 20" x 20" (1 PC)
PL-001S	Amber	.001" x 20" x 20" (1 PC)
PL-0015S	Purple	.0015" x 20" x 20" (1 PC)
PL-002S	Red	.002" x 20" x 20" (1 PC)
PL-003S	Green	.003" x 20" x 20" (1 PC)
PL-004S	Tan	.004" x 20" x 20" (1 PC)
PL-005S	Blue	.005" x 20" x 20" (1 PC)
PL-0075S	Transparent	.0075" x 20" x 20" (1 PC)
PL-010S	Brown	.010" x 20" x 20" (1 PC)
PL-0125S	Black	.0125" x 20" x 20" (1 PC)
PL-015S	Pink	.015" x 20" x 20" (1 PC)
PL-020S	Yellow	.020" x 20" x 20" (1 PC)
PL-025S	White	.025" x 20" x 20" (1 PC)
PL-030S	Coral	.030" x 20" x 20" (1 PC)
PL-040S	Transparent	.040" x 20" x 20" (1 PC)
PL-050S	Transparent	.050" x 20" x 20" (1 PC)
PL-060S	Transparent	.060" x 20" x 20" (1 PC)
PL20-Assrt	14 PC Assorted	20" x 20" Assortment 1 ea .0005" through .030"



20" x 40" Individual Sheets

P/N	Color	Description
PL40-0005	Silver	.0005" x 20" x 40" (1 PC)
PL40-001	Amber	.001" x 20" x 40" (1 PC)
PL40-0015	Purple	.0015" x 20" x 40" (1 PC)
PL40-002	Red	.002" x 20" x 40" (1 PC)
PL40-003	Green	.003" x 20" x 40" (1 PC)
PL40-004	Tan	.004" x 20" x 40" (1 PC)
PL40-005	Blue	.005" x 20" x 40" (1 PC)
PL40-0075	Transparent	.0075" x 20" x 40" (1 PC)
PL40-0010	Brown	.010" x 20" x 40" (1 PC)
PL40-0125	Black	.0125" x 20" x 40" (1 PC)
PL40-015	Pink	.015" x 20" x 40" (1 PC)
PL40-020	Yellow	.020" x 20" x 40" (1 PC)
PL40-025	White	.025" x 20" x 40" (1 PC)
PL40-030	Coral	.030" x 20" x 40" (1 PC)
PL40-040	Transparent	.040" x 20" x 40" (1 PC)
PL40-050	Transparent	.050" x 20" x 40" (1 PC)
PL40-060	Transparent	.060" x 20" x 40" (1 PC)

309 & 321 Stainless Steel Tool Wrap



Maudlin Products offers premium stainless steel tool wraps in 10" and 20" widths, with a 24" option available in 321 stainless steel.

Stainless steel tool wrap is used during heat treating to protect tooling. The tooling is wrapped in the foil, with the edges crimped to form an envelope, creating an airtight package that prevents the loss of surface carbon, which can cause scaling and damage. Using tool wrap not only protects your tooling from costly repairs, but also eliminates the need for box packaging with charcoal or sawdust.

309 SS Tool Wrap

10" Wide	Description	WT (Lbs)
SSFW309-10-12	309 SS Tool Wrap .002" x 10" x 12'	2.0
SSFW309-10-25	309 SS Tool Wrap .002" x 10" x 25'	3.0
SSFW309-10-50	309 SS Tool Wrap .002" x 10" x 50'	6.0
SSFW309-10-100	309 SS Tool Wrap .002" x 10" x 100'	12.0

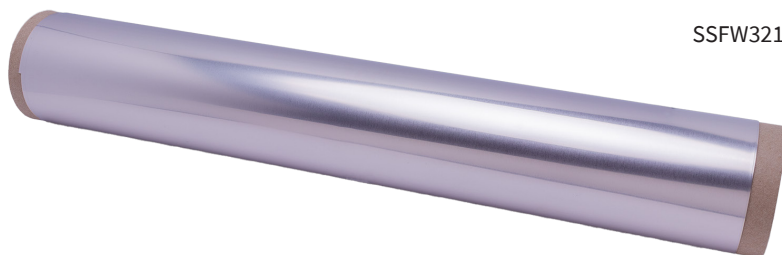
20" Wide	Description	WT (Lbs)
SSFW309-20-12	309 SS Tool Wrap .002" x 20" x 12'	4.0
SSFW309-20-25	309 SS Tool Wrap .002" x 20" x 25'	6.0
SSFW309-20-50	309 SS Tool Wrap .002" x 20" x 50'	12.0
SSFW309-20-100	309 SS Tool Wrap .002" x 20" x 100'	24.0

321 SS Tool Wrap

10" Wide	Description	WT (Lbs)
SSFW321-10-12	321 SS Tool Wrap .002" x 10" x 12'	2.0
SSFW321-10-25	321 SS Tool Wrap .002" x 10" x 25'	3.0
SSFW321-10-50	321 SS Tool Wrap .002" x 10" x 50'	6.0
SSFW321-10-100	321 SS Tool Wrap .002" x 10" x 100'	12.0

20" Wide	Description	WT (Lbs)
SSFW321-20-12	321 SS Tool Wrap .002" x 20" x 12'	4.0
SSFW321-20-25	321 SS Tool Wrap .002" x 20" x 25'	6.0
SSFW321-20-50	321 SS Tool Wrap .002" x 20" x 50'	12.0
SSFW321-20-100	321 SS Tool Wrap .002" x 20" x 100'	24.0

24" Wide	Description	WT (Lbs)
SSFW321-25	321 SS Tool Wrap .002" x 24" x 25'	4.75
SSFW321-50	321 SS Tool Wrap .002" x 24" x 50'	9.5
SSFW321-100	321 SS Tool Wrap .002" x 24" x 100'	17.5



Stainless Steel Tool Wrap Specs



Mechanical Property Requirements – Type 309 SS

Specs	Gauge	UTS (Ksi)		0.2% YS (Ksi)		%EL In 2%	Hard	Bend	Corrosion	Ann Temp
		MIN	MAX	MIN	MAX					
ASTM A 167-96 309	ALL	75	-	30	-	40	RB 95 MAX	NONE	A262 PRAC E	> 1900
ASTM A 240/A 240-98a ANN	ALL	75	-	30	-	40	RB 95 MAX	NONE	A262 PRAC E	> 1900
AMS 5523E ANN	>0.002 to <0.003	75	110	-	-	20	RB 95 MAX	180-HW-IT	NONE	Not Specified
	>0.003 to <0.004		105			30	RB 95 MAX		NONE	Not Specified
	Over 0.004 to 0.249		100	30		40	RB 95 MAX		NONE	Not Specified

Specs	Starke	Rm (Mpa)		Rp 0.2 (Mpa)		A 50.8 mm	Hard	Bend	Corrosion	Ann Temp
		MIN	MAX	MIN	MAX					
ASTM A 167-96 309	ALL	517	-	207	-	40	RB 95 MAX	NONE	A262 PRAC E	>1038
ASTM A 240/A 240-98a ANN	ALL	517	-	207	-	40	RB 95 MAX	NONE	A262 PRAC E	>1038
AMS-5523E ANN	>0.051 to <0.076	517	758			20	RB 95 MAX	180-HW-IT	NONE	Not Specified
	>0.076 to <0.102		724			30	RB 95 MAX	180-HW-IT	NONE	Not Specified
	Over 0.102 to 6.32		689	207		40	RB 95 MAX	180-HW-IT	NONE	Not Specified

Melting Range:	Best Usage Temp:	Density:
2250 – 2650F	up to 2100F	8.00 g/cc
1400 – 1455C		0.29 lb/in ³

Mechanical Property Requirements – Type 321 SS

Specs	Gauge	UTS (Ksi)		0.2% YS (Ksi)		%EL In 2%	Hard	Bend	Corrosion	Ann Temp
		MIN	MAX	MIN	MAX					
ASTM A 240/A 240M-98a	ALL	70	-	30	-	40	RB 95 MAX	NONE	A262 PRAC E	> 1900
AMS 5510N	>0.002 to <0.003	70	-110	25	-	20	RB 95 MAX	180-HW-IT	A262 PRAC E	Not Specified
	>0.003 to <0.004	70	105	25		30			A262 PRAC E	Not Specified
	Over 0.004 to 0.249	70	100	25		40			A262 PRAC E	Not Specified

Specs	Starke	Rm (Mpa)		Rp 0.2 (Mpa)		A 50.8 mm	Hard	Bend	Corrosion	Ann Temp
		MIN	MAX	MIN	MAX					
ASTM A 240/A 240M-98a	ALL	517	-	207	-	40	RB 95 MAX	NONE	A262 PRAC E	>1038
AMS 5510N	>0.051 to <0.076	483	758	172	-	20	RB 95 MAX	180-HW-IT	A262 PRAC E	Not Specified
	>0.076 to <0.102	483	724	172		30			A262 PRAC E	Not Specified
	Over 0.102 to 6.32	483	689	172		40			A262 PRAC E	Not Specified

Melting Range	Best Usage Temp	Density
2250 – 2600F	up to 1800F	8.00 g/cc
1400 – 1455C		0.29 lb/in ³

Square Steel Zinc-Plated Keystock



Square Zinc-Plated Keystock 12" Length

P/N	Size	WT (lbs)
SKS-1-16	1/16" x 1/16"	0.1
SKS-3-32	3/32" x 3/32"	0.1
SKS-1-8	1/8" x 1/8"	0.1
SKS-5-32	5/32" x 5/32"	0.1
SKS-3-16	3/16" x 3/16"	0.1
SKS-7-32	7/32" x 7/32"	0.1
SKS-1-4	1/4" x 1/4"	0.2
SKS-9-32	9/32" x 9/32"	0.3
SKS-5-16	5/16" x 5/16"	0.3
SKS-3-8	3/8" x 3/8"	0.5
SKS-7-16	7/16" x 7/16"	0.7
SKS-1-2	1/2" x 1/2"	0.9
SKS-9-16	9/16" x 9/16"	1.1
SKS-5-8	5/8" x 5/8"	1.3
SKS-11-16	11/16" x 11/16"	1.7
SKS-3-4	3/4" x 3/4"	2.0
SKS 13-16	13/16" x 13/16"	2.5
SKS-7-8	7/8" x 7/8"	3.0
SKS-15-16	15/16" x 15/16"	3.2
SKS-1-1	1" x 1"	3.4
SKS-1.0625-1.06	1-1/16" x 1-1/16"	3.8
SKS-1.125-1.125	1-1/8" x 1-1/8"	4.5
SKS-1.1875-1.18	1-3/16" x 1-3/16"	2.1
SKS-1.25-1.25	1-1/4" x 1-1/4"	5.7
SKS-1.3125-1.31	1-5/16" x 1-5/16"	6.4
SKS-1.375-1.375	1-3/8" x 1-3/8"	7.0
SKS-1.5-1.5	1-1/2" x 1-1/2"	7.7
SKS-1.625-1.625	1-5/8" x 1-5/8"	9.1
SKS-1.75-1.75	1-3/4" x 1-3/4"	10.5
SKS-1.875-1.875	1-7/8" x 1-7/8"	12.0
SKS-2-2	2" x 2"	13.4

Square Metric Zinc-Plated Steel Keystock 12" Length

P/N	Size	WT (lbs)
10148	4mm	0.1
10149	5mm	0.1
10150	6mm	0.2
10151	7mm	0.3
10152	8mm	0.3
10153	10mm	0.5
10154	12mm	0.9
10155	14mm	1.0
10156	16mm	1.3
10157	18mm	1.9
10158	20mm	2.2
10159	22mm	3.0
10160	25mm	3.3

Square Stainless Steel Keystock 12" Length

P/N	Size	WT (lbs)
10213	1/8"	0.1
10214	3/16"	0.1
10215	1/4"	0.2
10216	5/16"	0.3
10217	3/8"	0.5
10218	7/16"	0.7
10219	1/2"	0.9
10220	5/8"	1.3
10221	3/4"	1.9
10222	7/8"	2.6
10223	1"	3.4

Unplated Available Upon Request

Rectangular Steel Zinc-Plated Keystock

Rectangular Zinc-Plated Keystock 12" Length

P/N	Size	WT (lbs)
10189	1/8" x 3/16"	0.1
10190	1/8" x 1/4"	0.1
10191	1/8" x 3/8"	0.2
10828	1/8" x 1/2"	0.2
10829	1/8" x 5/8"	0.3
10830	1/8" x 3/4"	0.3
10192	3/16" x 1/4"	0.2
10193	3/16" x 5/16"	0.2
10194	3/16" x 3/8"	0.2
10831	3/16" x 7/16"	0.3
10195	3/16" x 1/2"	0.3
10832	3/16" x 5/8"	0.4
10833	3/16" x 7/8"	0.6
10196	1/4" x 5/16"	0.5
10197	1/4" x 3/8"	0.3
10834	1/4" x 7/16"	0.4
10198	1/4" x 1/2"	0.4
10835	1/4" x 9/16"	0.5
10836	1/4" x 9/16"	0.5
10837	1/4" x 3/4"	0.6
10199	5/16" x 3/8"	0.4
10200	5/16" x 7/16"	0.5
10201	5/16" x 1/2"	0.5
10838	5/16" x 9/16"	0.6
10202	5/16" x 5/8"	0.7
10839	5/16" x 3/4"	0.8
10203	3/8" x 7/16"	0.6
10204	3/8" x 1/2"	0.6
10840	3/8" x 9/16"	0.7
10205	3/8" x 5/8"	0.8
10841	3/8" x 1"	1.3
10207	7/16" x 1/2"	0.7
10842	7/16" x 9/16"	0.8
10208	7/16" x 5/8"	0.9
10209	7/16" x 3/4"	1.1
10843	1/2" x 9/16"	0.9

P/N	Size	WT (lbs)
10210	1/2" x 5/8"	1.1
10211	1/2" x 11/16"	1.2
10212	1/2" x 3/4"	1.3
10844	1/2" x 7/8"	1.5
10845	1/2" x 1"	1.7
10846	9/16" x 5/8"	1.2
10847	9/16" x 3/4"	1.4
10848	9/16" x 1"	1.9
10849	9/16" x 1 1/4"	2.3
10850	5/8" x 11/16"	2.3
10851	5/8" x 3/4"	1.6
10852	5/8" x 7/8"	1.9
10853	5/8" x 1"	2.1
10854	11/16" x 1 1/4"	2.7
10855	11/16" x 3/4"	1.7
10856	11/16" x 7/8"	2.2
10857	11/16" x 1"	2.5
10858	3/4" x 7/8"	2.2
10749	3/4" x 1"	2.5
10859	3/4" x 1 1/8"	2.9
10860	3/4" x 1 1/4"	3.2
10861	3/4" x 1 1/2"	3.8
10862	3/4" x 1 3/4"	4.5
10863	7/8" x 1"	3
10864	7/8" x 1 1/8"	3.3
10865	7/8" x 1 1/4"	3.7
10866	1" x 1 1/8"	3.8
10867	1" x 1 1/4"	4.3
10868	1" x 1 1/2"	5.1
10869	1" x 1 3/4"	6
10870	1" x 2"	6.8
10871	1 1/8" x 1 1/4"	4.8
10872	1 1/4" x 1 3/8"	5.8
10873	1 1/4" x 1 1/2"	6.4
10874	1 1/4" x 1 3/4"	7.4
10875	1 1/2" x 1 3/4"	8.9
10876	1 1/2" x 2"	10.2

Unplated Available Upon Request

Steel Feeler Gauge



1/2" x 12" Strips 12 PC Per Box

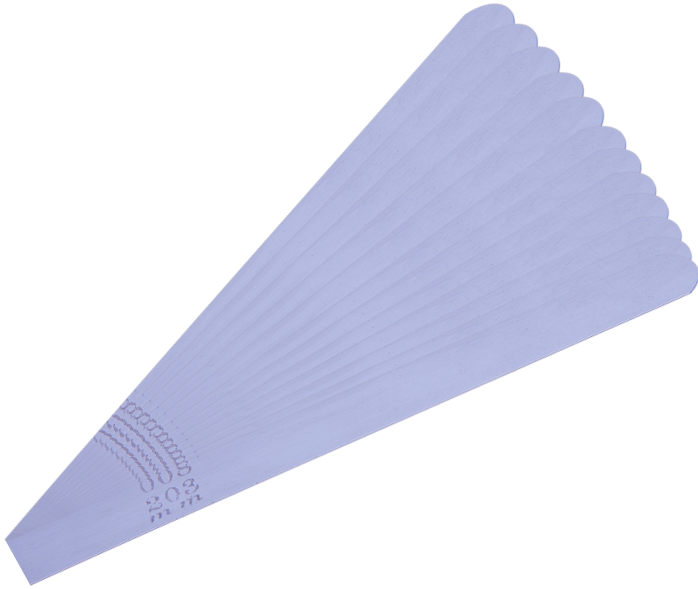
P/N	Thickness	P/N	Thickness
MSF-1	.001"	MSF-18	.018"
MSF-1x	.0015"	MSF-19	.019"
MSF-2	.002"	MSF-20	.020"
MSF-2x	.0025"	MSF-21	.021"
MSF-3	.003"	MSF-22	.022"
MSF-4	.004"	MSF-23	.023"
MSF-5	.005"	MSF-24	.024"
MSF-6	.006"	MSF-25	.025"
MSF-7	.007"	MSF-26	.026"
MSF-8	.008"	MSF-27	.027"
MSF-9	.009"	MSF-28	.028"
MSF-10	.010"	MSF-29	.029"
MSF-11	.011"	MSF-30	.030"
MSF-12	.012"	MSF-31	.031"
MSF-13	.013"	MSF-32	.032"
MSF-14	.014"	MSF-33	.033"
MSF-15	.015"	MSF-34	.034"
MSF-16	.016"	MSF-35	.035"
MSF-17	.017"	MSF-40	.040"

1/2" x 25 FT Coil

P/N	Thickness	P/N	Thickness
MST-1	.001"	MST-18	.018"
MST-1x	.0015"	MST-19	.019"
MST-2	.002"	MST-20	.020"
MST-2x	.0025"	MST-21	.021"
MST-3	.003"	MST-22	.022"
MST-4	.004"	MST-23	.023"
MST-5	.005"	MST-24	.024"
MST-6	.006"	MST-25	.025"
MST-7	.007"	MST-26	.026"
MST-8	.008"	MST-27	.027"
MST-9	.009"	MST-28	.028"
MST-10	.010"	MST-29	.029"
MST-11	.011"	MST-30	.030"
MST-12	.012"	MST-31*	.031"
MST-13	.013"	MST-32*	.032"
MST-14	.014"	MST-33*	.033"
MST-15	.015"	MST-34*	.034"
MST-16	.016"	MST-35*	.035"
MST-17	.017"	MST-40*	.040"

* 15 ft. Coil

Stainless Steel Feeler Gauge



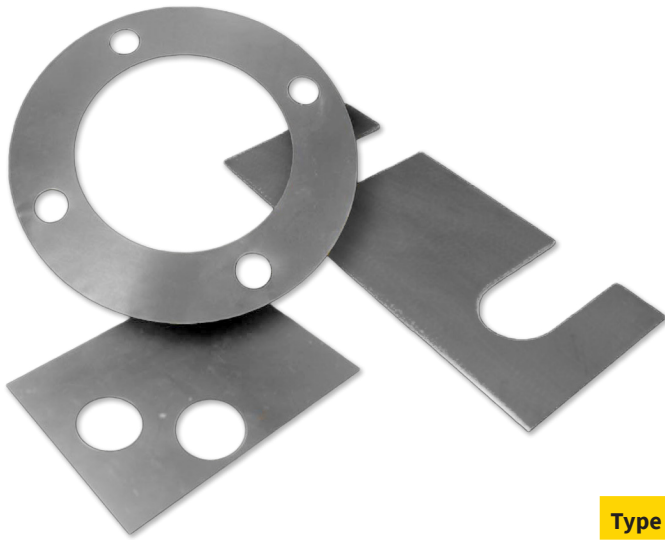
1/2" x 12" Strips 12 PC Per Box

P/N	Thickness
MSSF-X	.0005"
MSSF-1	.001"
MSSF-1X	.0015"
MSSF-2	.002"
MSSF-2X	.0025"
MSSF-3	.003"
MSSF-4	.004"
MSSF-5	.005"
MSSF-6	.006"
MSSF-7	.007"
MSSF-8	.008"
MSSF-9	.009"
MSSF-10	.010"
MSSF-12	.012"
MSSF-15	.015"
MSSF-16	.016"
MSSF-18	.018"
MSSF-20	.020"
MSSF-25	.025"
MSSF-31	.031"

1/2" x 10 FT Coil

P/N	Thickness
MSST-X	.0005"
MSST-1	.001"
MSST-1X	.0015"
MSST-2	.002"
MSST-2X	.0025"
MSST-3	.003"
MSST-4	.004"
MSST-5	.005"
MSST-6	.006"
MSST-7	.007"
MSST-8	.008"
MSST-9	.009"
MSST-10	.010"
MSST-12	.012"
MSST-15	.015"
MSST-16	.016"
MSST-18	.018"
MSST-20	.020"
MSST-25	.025"
MSST-31	.031"

Call For Availability



Our Custom Job Shop is built on one simple premise: standard sizes don't fit all.

Fast, affordable solutions for all your rotating equipment needs.

When it comes to selection and quality, Maudlin is the answer.

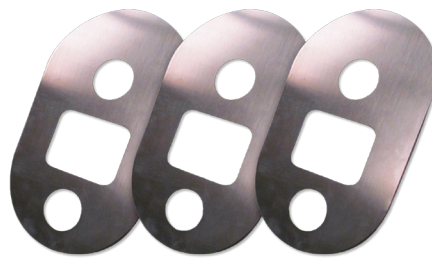
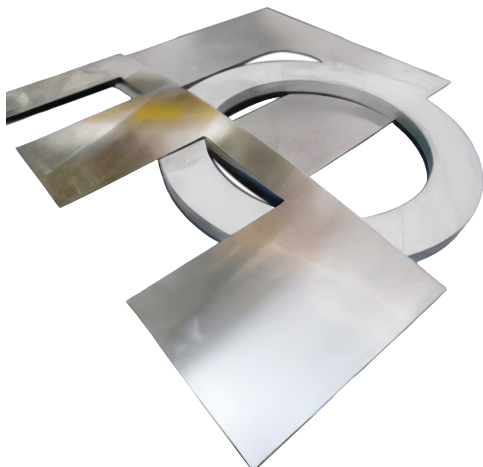
We offer

- Quotes processed within 24-48 hours
- 3-5 day turnaround on most jobs
- Precision thickness tolerances
- Expedite orders for same- or next-day service in most cases
- Manufactured to your exact specifications

Standard Material Specifications Include

Type	Material	Thickness	Width
302 Full Hard	Stainless Steel	.002" - .031"	6" - 12" - 24"
304 Annealed	Stainless Steel	.036" - .125"	48"
1008/1010 Full Hard	Steel	.002" - .031"	6" - 12" - 24"
1008/1010 Full Hard	Steel	.036" - .125"	48"
260 Alloy Half Hard	Brass	.001" - .031"	6" - 12"
260 Alloy Half Hard	Brass	.036" - .125"	36"
Plastic	Plastic	.001" - .060"	20"
316 Annealed	Stainless Steel	.002" - .031"	6" - 12" - 24"
316 Annealed	Stainless Steel	.036" - .125"	48"

For your custom shim needs, contact one of our experienced sales professionals for a quote today. Simply provide a print, sample, or your dimensions!
 281.334.7566 | sales@maudlinproducts.com




Manage orders, quotes, and invoices – Anytime, Anywhere

Why Create an Online Account?

- View orders and quotes placed with your email
- Access your full order history anytime
- Purchase directly from open quotes tied to your email or your company's Customer ID — including custom parts

Open Quotes

Quote Request #MMQ135295 

Status: Ready for purchase Quoted on: Apr 22, 2026 Expires on: May 22, 2026

Part Number / Service Charge	Description
MSA2-CK-MMC	MSA 2 x 2 TOOL CRIB KIT (130 PC W/BOX)

1 item [View All](#)

With Your Online Account, You Can View



Orders



Quotes




Shipment Tracking



Invoices

Faster Reordering – Less Manual Work

- Reorder eCommerce parts instantly
- Submit online RFQs
- Purchase immediately once quotes are approved

Order E4469302-MMC (PO #TEST1234)  **Reorder**

Status	Order Placed	Ordered By	Shipped To	Total
Processing	April 22, 2026	Maudlin Customer	Maudlin Products	\$266.29

1 item

Part Number	Description	Brand
MSA2-CK-MMC	MSA 2 x 2 TOOL CRIB KIT (130 PC W/BOX)	Maudlin

Get Started Today!

Call: 281-334-7566

Visit: mwcomponents.com/register



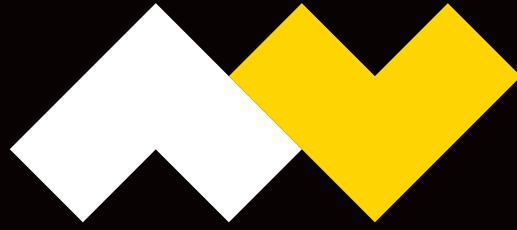
MW Components

About MW Components

MW Components is focused on accelerating the entire process of delivering custom, stock, and standard parts to virtually any volume and against demanding deadlines. We work to highly complex tolerances. We help simplify the management of any number of different components. And we take a no-compromise approach to quality. With MW Components, you can be sure you'll get the right part to the right specification when and where you need it.

MW Components. Whatever it takes.

[MWComponents.com](https://www.MWComponents.com)



Maudlin

General: 281.334.7566 | Toll Free: 800.300.7566

sales@maudlinproducts.com

maudlinproducts.com

